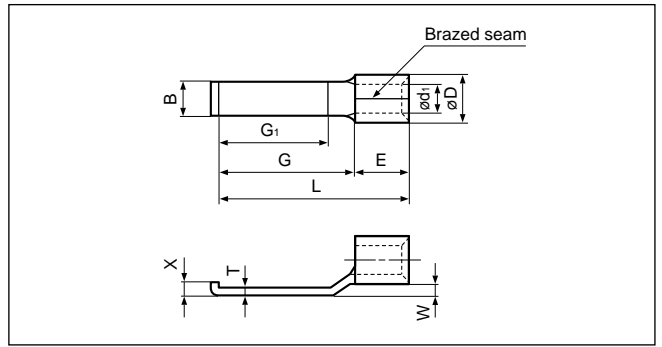


Solderless terminals

LIPPED BLADE Non-insulated



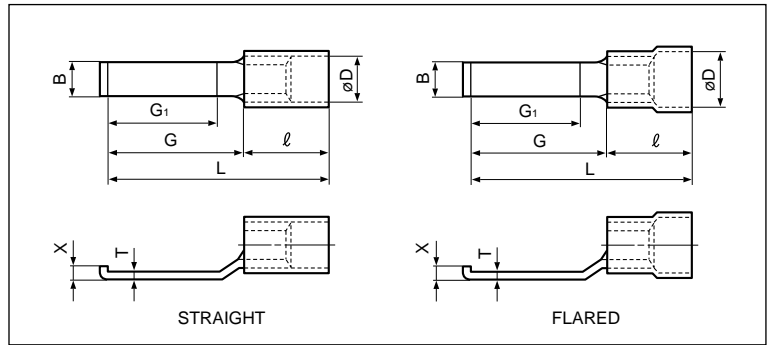
Certificate No.: E42024

| Applicable Wire AWG#(mm ²) | Part No. | Standard | Dimensions mm (in.) | | | | | | | | | | Tool No. | | | | Qty/box |
|---|----------|----------|---------------------|----------------|----------------|---------------|----------------|---------------|------------------|---------------|---------------|---------------|----------|------|------|------|---------|
| | | | B | L | G | E | G ₁ | ø D | ø d ₁ | T | W | X | YHT-2210 | YA-1 | YA-2 | YA-4 | |
| 16 to 14 (1.04 to 2.63) | AH-2 | | 4.6 (.181) | 21.6 (.850) | 16.8 (.661) | 4.8 (.189) | 13.0 (.512) | 4.1 (.161) | 2.3 (.091) | 0.8 (.031) | 2.0 (.079) | 1.7 (.067) | 0 | 0 | 0 | 0 | 1,000 |

Note:1) The part numbers indicated in the above table are for products with a brazed seam.
 When ordering products with a butted seam, add the prefix "WS" to the part number (ex. AH-2 → **WSAH-2**).
 2) Delivery lead times may vary depending on the product. Contact JST for details.

Solderless terminals

LIPPED BLADE vinyl-insulated



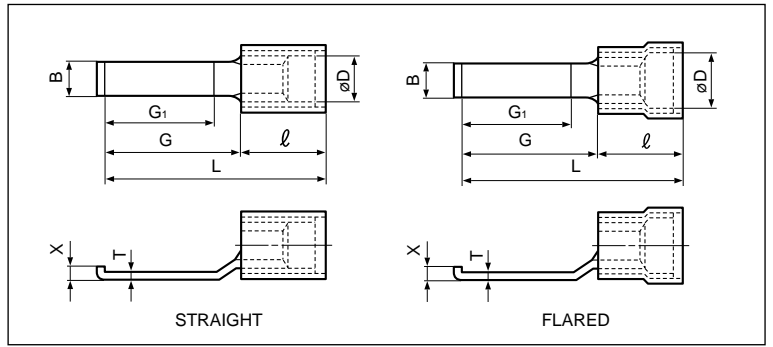
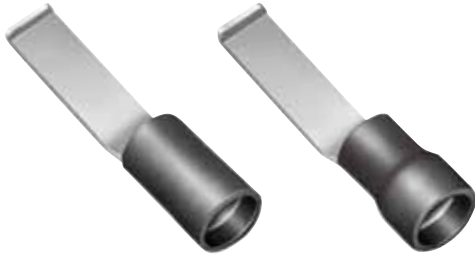
Certificate No.: E42024


| Applicable Wire AWG#(mm ²) | Part No. | | Standard | Dimensions mm (in.) | | | | | | | | | | Color | Tool No. | | | | Qty/box | |
|---|----------|-----------|----------|---------------------|-----------------|----------------|----------------|----------------|---------------|---------------|---------------|---------------|----------|-------|----------|-----------|------|------|---------|------|
| | Straight | Flared | | B | L | G | ℓ | G ₁ | ø D | | T | X | YNT-2216 | | YNT-1614 | YNT-1210S | YA-1 | YA-2 | | YA-4 |
| | | | | | | | | | Str. | Fld. | | | | | | | | | | |
| 22 to 16 * (0.25 to 1.65) | — | FVAH-1.25 | | 4.6 (.181) | 25.8 (1.016) | 16.8 (.661) | 9.0 (.354) | 13.0 (.512) | 3.2 (.126) | 4.0 (.157) | 0.8 (.031) | 1.7 (.067) | Red | 0 | | | 0 | 0 | 0 | 500 |
| 16 to 14 (1.04 to 2.63) | — | FVAH-2 | | 4.6 (.181) | 25.8 (1.016) | 16.8 (.661) | 9.0 (.354) | 13.0 (.512) | 3.9 (.154) | 4.5 (.177) | 0.8 (.031) | 1.7 (.067) | Blue | 0 | | | 0 | 0 | 0 | 500 |
| 12 to 10 (2.63 to 6.64) | — | FVAH-5.5 | | 4.6 (.181) | 30.3 (1.193) | 16.8 (.661) | 13.5 (.531) | 13.0 (.512) | 5.4 (.213) | 6.8 (.268) | 0.8 (.031) | 1.9 (.075) | Yellow | | 0 | | | | 0 | 250 |




Note:1) The part numbers indicated in the above table are for products with a brazed seam.
 When ordering products with a butted seam, add the prefix "WS" to the part number (ex. FVAH-1.25 → **FVWSAH-1.25**).
 2) *The crimping will be more secure if the total cross-sectional area of the wire is at least 0.5 mm².
 Examples: If the cross-sectional area of the wire is 0.3 mm², fold the wire in two when crimping the terminal.
 If the cross-sectional area of the wire is 0.5 mm², crimp the terminal onto the wire as it is.
 3) Delivery lead times may vary depending on the product. Contact JST for details.

Solderless terminals

LIPPED BLADE Vinyl-insulated with copper sleeve



Certificate No.:  E42024

| Applicable Wire AWG#(mm ²) | Part No. | | Standard | Dimensions mm (in.) | | | | | | | | | Color | Tool No. | | | | | Qty/box | |
|---|-----------|------------|---|---------------------|-----------------|----------------|----------------|----------------|---------------|---------------|---------------|---------------|--------|----------|----------|-----------|------|------|---------|------|
| | Straight | Flared | | B | L | G | ℓ | G ₁ | ø D | | T | X | | YNT-2216 | YNT-1614 | YNT-1210S | YA-1 | YA-2 | | YA-4 |
| | | | | | | | | | Str. | Fl. | | | | | | | | | | |
| 22 to 16 (0.25 to 1.65) | VDAH-1.25 | FVDAH-1.25 |  | 4.6 (.181) | 26.4 (1.039) | 16.8 (.661) | 9.6 (.378) | 13.0 (.512) | 3.5 (.138) | 4.0 (.157) | 0.8 (.031) | 1.7 (.067) | Red | 0 | | 0 | 0 | 0 | 500 | |
| 16 to 14 (1.04 to 2.63) | VDAH-2 | FVDAH-2 |  | 4.6 (.181) | 26.4 (1.039) | 16.8 (.661) | 9.6 (.378) | 13.0 (.512) | 4.1 (.161) | 4.7 (.185) | 0.8 (.031) | 1.7 (.067) | Blue | 0 | | 0 | 0 | 0 | 500 | |
| 12 to 10 (2.63 to 6.64) | VDAH-5.5 | FVDAH-5.5 |  | 4.6 (.181) | 30.8 (1.213) | 16.8 (.661) | 14.0 (.551) | 13.0 (.512) | 5.7 (.224) | 6.5 (.256) | 1.0 (.039) | 1.9 (.075) | Yellow | | 0 | | | 0 | 250 | |

Note : 1) The part numbers indicated in the above table are for products with a brazed seam.

When ordering products with a butted seam, add the prefix "WS" to the part number (ex. FVAH-1.25 → **FVWSAH-1.25**).

2) Delivery lead times may vary depending on the product. Contact JST for details.